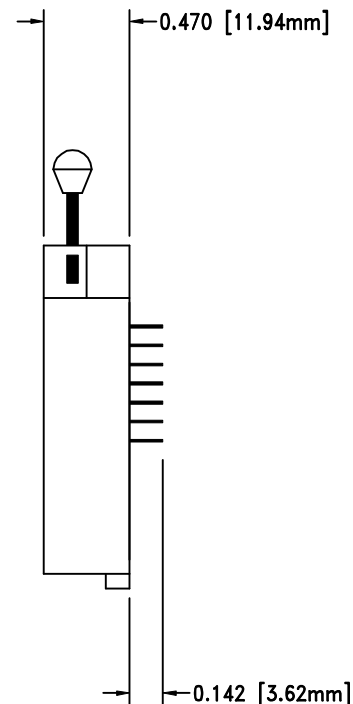
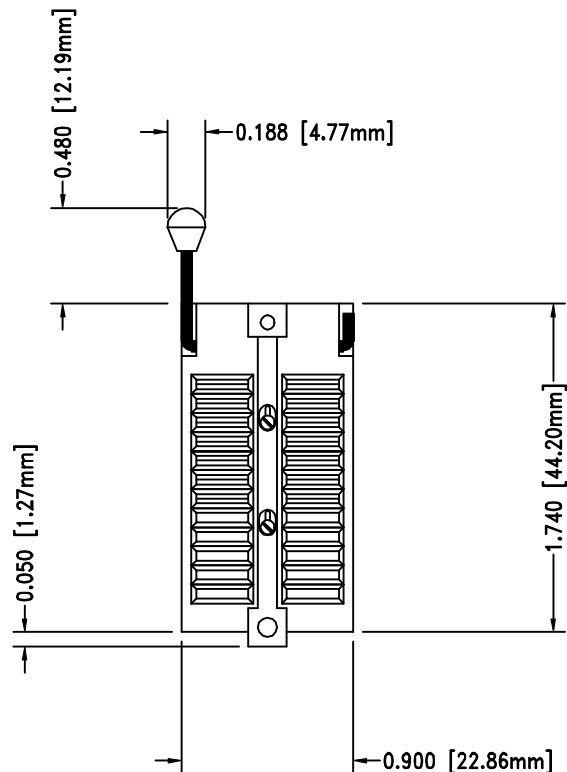


SKT110

DOD 4110



ALL DIMENSIONS ARE IN INCHES UNLESS OTHERWISE SPECIFIED



Emulation Technology, Inc.

— VLSI and SMT ADAPTERS and ACCESSORIES —

2344 Walsh Avenue, Bldg. F
Santa Clara, Ca 95051

TEL:(408)982-0660
FAX:(408)982-0664

SHEET:
1 OF 1

DATE:
4-4-00

REVISION:

ASSEMBLY DRAWING

CHECKED:
GABOR KARDOS

DRAWN:
Steve Martin

ITEM: S-DIP-00-014-AZ

DO NOT SCALE DRAWING

DESCRIPTION:
BI SKT .300"