

REV	DESCRIPTION	DATE	BY
A	NEW DRAWING	03/02/04	H.N.
B	UPDATED PINOUT	08/25/04	H.N.

SILKSREEN NOT VALID FOR FEMALE VERSION
SEE TABLE FOR PINOUT

F7049

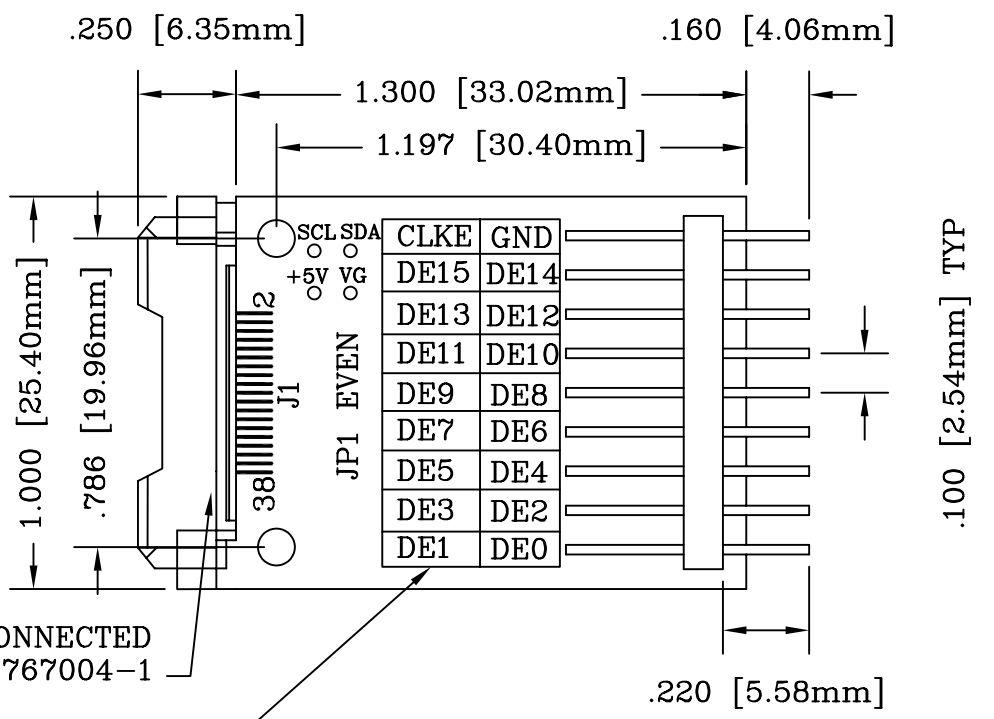
*	**		*	**	
1	2	TESTPOINT	2	1	TESTPOINT
3	4	TESTPOINT	4	3	TESTPOINT
5	6	CLK0	6	5	CLKE
7	8	D015	8	7	DE15
9	10	D014	10	9	DE14
11	12	D013	12	11	DE13
13	14	D012	14	13	DE12
15	16	D011	16	15	DE11
17	18	D010	18	17	DE10
19	20	D09	20	19	DE9
21	22	D08	22	21	DE8
23	24	D07	24	23	DE7
25	26	D06	26	25	DE6
27	28	D05	28	27	DE5
29	30	D04	30	29	DE4
31	32	D03	32	31	DE3
33	34	D02	34	33	DE2
35	36	D01	36	35	DE1
37	38	D00	38	37	DE0

2X9 HEADER (EVEN)			
1	GND	2	CLK0
3	D014	4	D015
5	D012	6	D013
7	D010	8	D011
9	D08	10	D09
11	D06	12	D07
13	D04	14	D05
15	D02	16	D03
17	D00	18	D01

2X9 HEADER (ODD)			
1	DE1	2	DE0
3	DE3	4	DE2
5	DE5	6	DE4
7	DE7	8	DE6
9	DE9	10	DE8
11	DE11	12	DE10
13	DE13	14	DE12
15	DE15	16	DE14
17	CLKE	18	GND

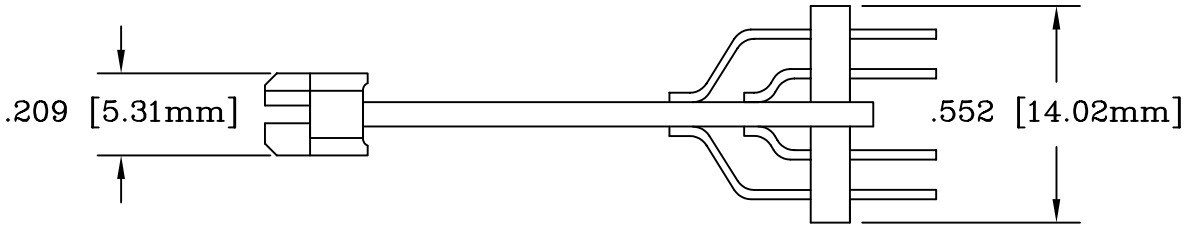
* = SILSCREEN
** = SHOULD BE

NOTES: 1. THIS PART MATES WITH DRAWING # F6718
ET ITEM# CONMICSTD38SMT
2. MATES WITH TYCO PART #
767007-8



FEMALE CONNECTED
767004-1

NOTE:
NAMING CONVENTION SILKSCREEN
FOLLOWS AGILENT STANDARD



ALL DIMENSIONS ARE IN INCHES UNLESS OTHERWISE SPECIFIED

Emulation Technology, Inc.
— VLSI and SMT ADAPTERS and ACCESSORIES —
2344 Walsh Avenue, Bldg.F Santa Clara, Ca 95051
TEL:(408)982-0660 FAX:(408)982-0664

SHEET: 1 OF 1 DATE: 08/25/04 REVISION: B

CHECKED: Perry Munroe DRAWN: Huy Nguyen

ITEM: MIC-38-BREAKFEM

DESCRIPTION: MIC-38-BREAKOUT-FEMALE

Scale 2:1 DO NOT SCALE DRAWING