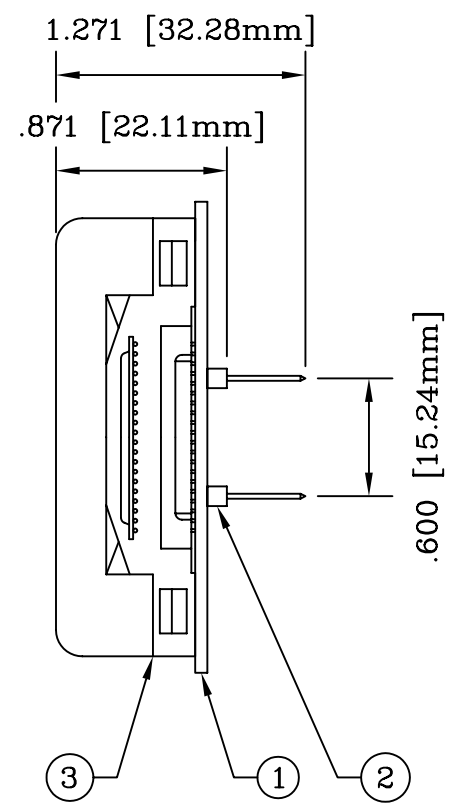
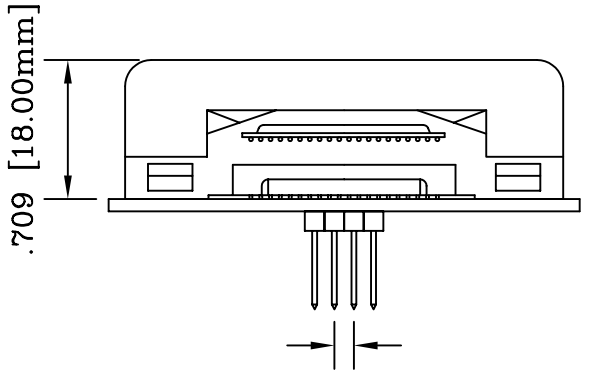
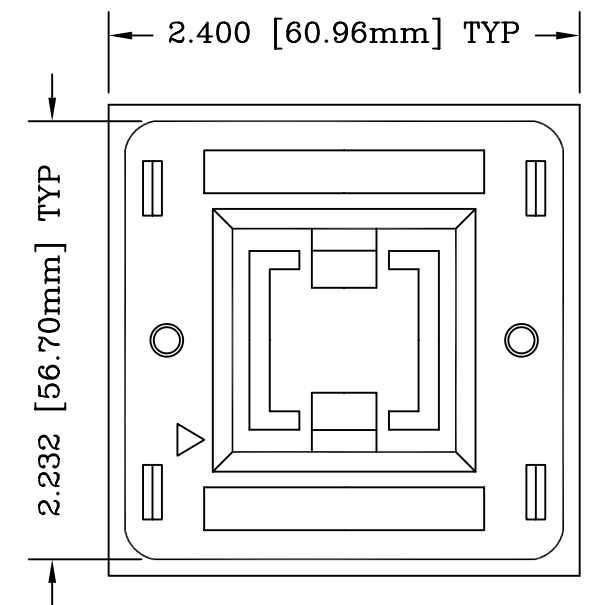


REV	DESCRIPTION	DATE	BY
A	NEW DRAWING	08/11/04	H.N.

F7316



NET NAME	DIP	BGA
SEESCL	6	A15
SEESDA	5	B15
SVDD3.3V		A20, H20, Y12
SVDD5.0V	8	W13
VSS	4	Y13, Y19, V19, M19, K19, C19, A14, Y2, E1, G1, J1, L1, N1, R1, U1, W1, A10, B8, R20, E20, B17, Y8, Y4, W5, B5, A8, Y20, U19, R19, J19, C20, A16, Y3, E2, G2, J2, L2, N2, R2, U2, Y1, B4, Y15, M20, B19, B16, Y7, W8, W4, A5, B10, W19, Y18, T20, L19, E19, D19, W2, D1, F1, H1, K1, M1, P1, T1, V1, A1, A4, Y17, K20, B20, A17, Y6, W7, B7, A6, W20, W18, U20, L20, H19, D20, W3, D2, F2, H2, K2, M2, P2, T2, V2, A9, B9, V20, J20, B18, A18, Y5, W6, B6, A7

ALL DIMENSIONS ARE IN INCHES UNLESS OTHERWISE SPECIFIED

**Emulation Technology, Inc.**  
 — VLSI and SMT ADAPTERS and ACCESSORIES —  
 2344 Walsh Avenue, Bldg.F Santa Clara, Ca 95051  
 TEL:(408)982-0660 FAX:(408)982-0664

NO.	ITEM	DESCRIPTION	QTY.
1	125BGA-08DIP.6	BASE BOARD	1
2	WWPOST-36-PGA	SOLDER BOTTOM # 1	.22
3	S-BGA-20-125-A	SOLDER ON TOP # 1	1

SHEET: 1 OF 1	DATE: 08/11/04	REVISION: A	<b>ASSEMBLY DRAWING</b>
CHECKED: Perry Munroe	DRAWN: Huy Nguyen	ITEM: 1250801BG600	
Scale 1:1	DO NOT SCALE DRAWING	DESCRIPTION: AS-125-08-01BG-6	