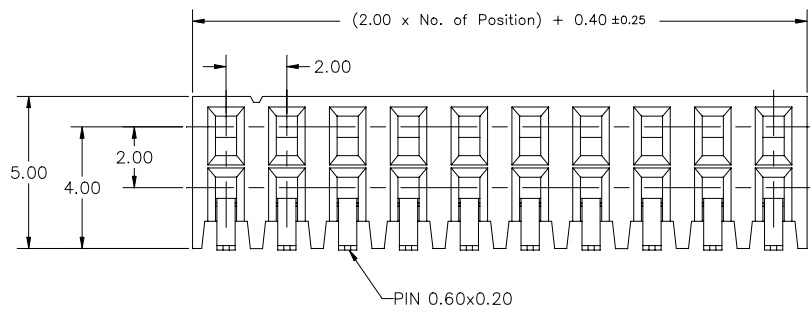
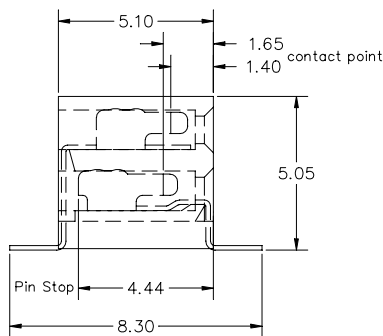
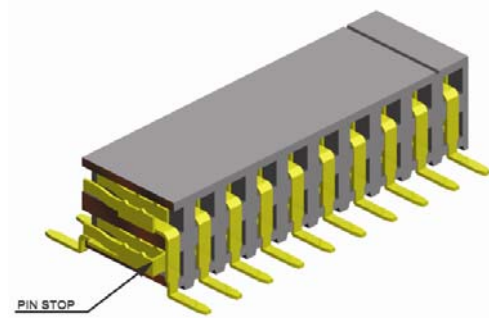
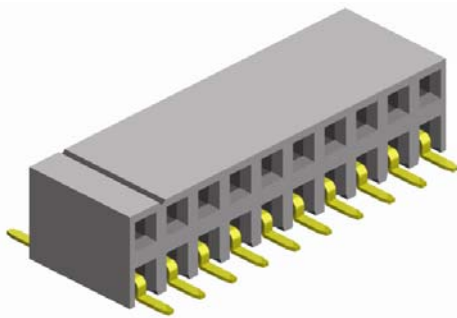


2.00mm pitch Female Header

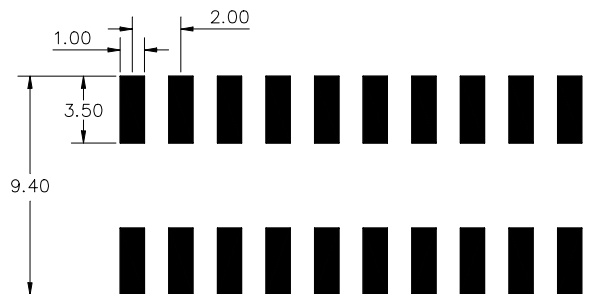
- SMT- side entry



### APPLICATION AND FEATURES

- Hi-rel dual beam contact with „Pin Stop“ assures reliable connections
- Accepts 0.50mm square pins
- 5.00mm height above board
- Automatic assembly to PCB possible

### PCB SMD Layout



### SPECIFICATIONS

Current rating	1 A
Insulator resistance	5000 MΩ min.
Contact resistance	20 mΩ max.
Dielectric withstanding	AC 500 V

Operating temperature	- 40°C to +105°C
Processing temperature	+250°C +0/-5°C for 10sec.
Contact material (RoHS compliant)	Phosphor Bronze
Insulator material (RoHS compliant)	Nylon UL 94 V-0

### How to order

BS 2 - xxx - R 500 - 55 /2 X

<b>Nbr of contacts</b>
<b>004 to 050</b>

<b>Plating</b>
<b>55 = gold</b>
others on request

<b>Packing Option</b>
<b>R = Reel</b>
No suffix for tube packing