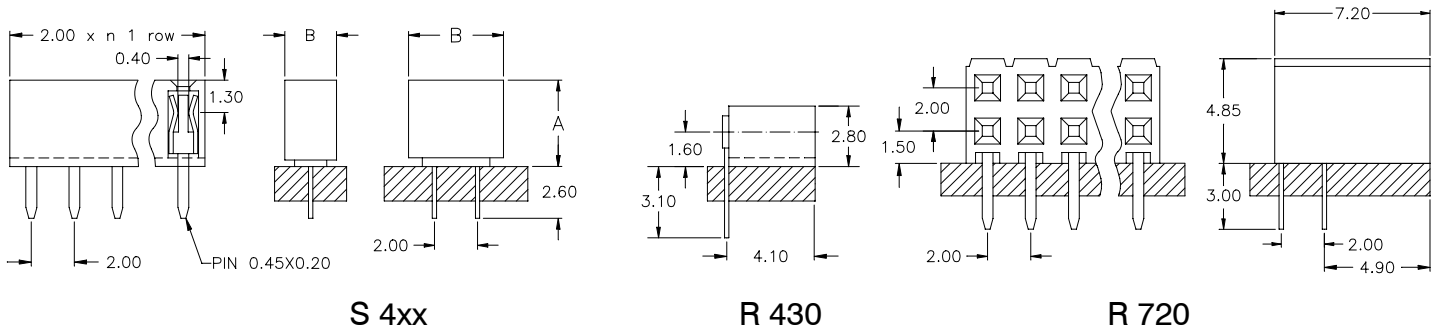
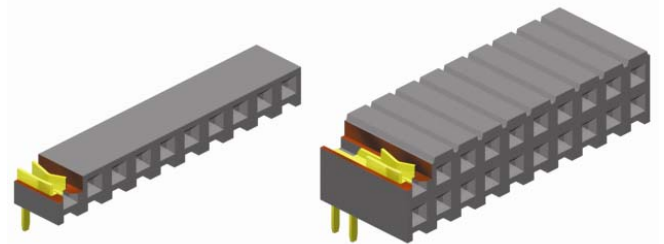
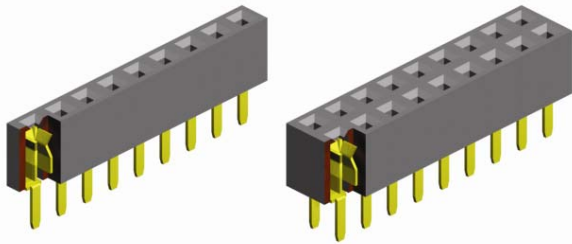


2.00mm pitch Female Header

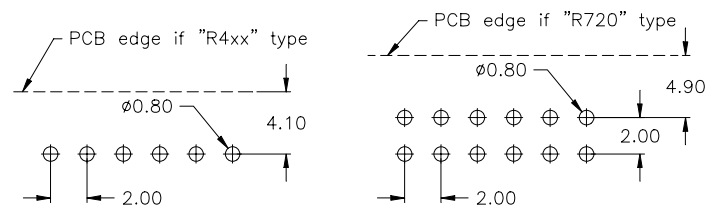
- THT - low profile



**SPECIFICATIONS**

Current rating	1 A
Insulator resistance	5000 MΩ min.
Contact resistance	20 mΩ max.
Dielectric withstanding voltage	500 V AC
Operating temperature	- 40°C to +105°C
Contact material	Phosphor Bronze (RoHS compliant)
Insulator material	Nylon UL 94 V-0 (RoHS compliant)

**PCB Hole Layout**



**APPLICATION AND FEATURES**

Low profile, 4.00mm and 4.30mm height single & dual row straight.  
 Designed for board to board small spacing interconnection.  
 High quality dual beam contacts mating with 0,50 x 0,50mm Pin Header.

**How to order**

**BL x - xxx - X xxx - 55 /2**

Rows	Nbr of contacts	Connector style	Plating
<b>1</b> = single row	straight = <b>002</b> to <b>040</b>	<b>S 400</b> = straight – single row : "A"=4.00mm "B"=2.20mm straight – dual row : "A"=4.00mm "B"=4.20mm	<b>55</b> = gold  Others on request
	right angle = <b>003</b> to <b>040</b>		
<b>2</b> = dual row	straight = <b>004</b> to <b>080</b>	<b>S 430</b> = straight – single row : "A"=4.30mm "B"=2.40mm straight – dual row : "A"=4.30mm "B"=4.60mm	
	right angle = <b>004</b> to <b>080</b>	<b>R 430</b> = right angle – single row <b>R 720</b> = right angle – dual row	